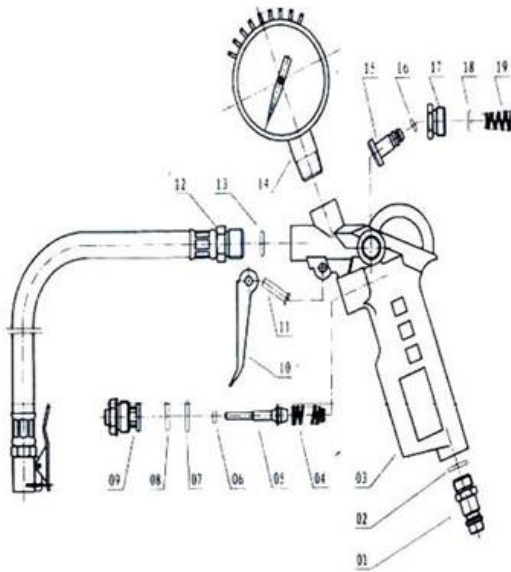


PART LIST:



No	Description	No	Description
1	Air Inlet Plug	11	Trigger Pin
2	O-ring	12	Windpipe Set
3	Gun Body	13	O-ring
4	Switch Spring	14	Trigger Pin
5	Switch Pipe	15	Air Inlet Cap
6	O-ring	16	Screw
7	O-ring	17	Water Inlet Pipe
8	Rectangle Washer	18	Blow Pipe
9	Switch Seat	19	
10	Trigger		

USING THE INFLATING GUN

1. Connect inflator to air compressor via appropriate hose, start compressor and open compressor tap, set regulator of compressor to pressure greater than that of tyre to be inflated.
2. Connect inflator with air valve of type.
3. Operate the trigger
4. If you over-inflate, repase some pressure by pressing the bleed valve at the top of handle.

WARNING: When a tyre is totally deflated it can separate from the wheel rim, allowing air to leak. If this occurs, it will be necessary to jack up the vehicle to raise the tyre off the ground before attempting to inflate. The tyre may however still leak slowly, and should be checked by mechanic or tyre specialist.

MAINTENANCE

- Keep it clean. Regularly lubricate the moving parts of the trigger.
- Equipment store in a dry area, protected from the weather.
- Stored near chemicals and gases, causing corrosion is inaccessible.

To prevent damage to the unit during transport, pack it securely and use the original packaging.

SUPPLIER: LEVIOR s.r.o.